

DOME
3.6mm HIGH IMPACT ACRYLIC

BONDED EDPM
WASHER 4 OFF

PHILIPS PAN HEAD
STAINLESS 8-18 X 20
4 OFF

FOAM SEAL
6.9mm WIDE

400 CORRUGATED FLASHING
Part No F-400CORRU

DETAIL B
SCALE 2 : 1

TEK SCREWS WITH SEAL
HEX HEAD 12-14 X 25 GALVANISED
26 OFF

CORRUGATED CAP
2 OFF

DETAIL F
SCALE 1 : 2

INSULATED FOIL SEAL

CLAMP

K30 PT PHILIPS

DETAIL C
SCALE 1 : 1

CLAMP

K30 PT PHILIPS

DETAIL D
SCALE 1 : 1

SQUARE DIFFUSER

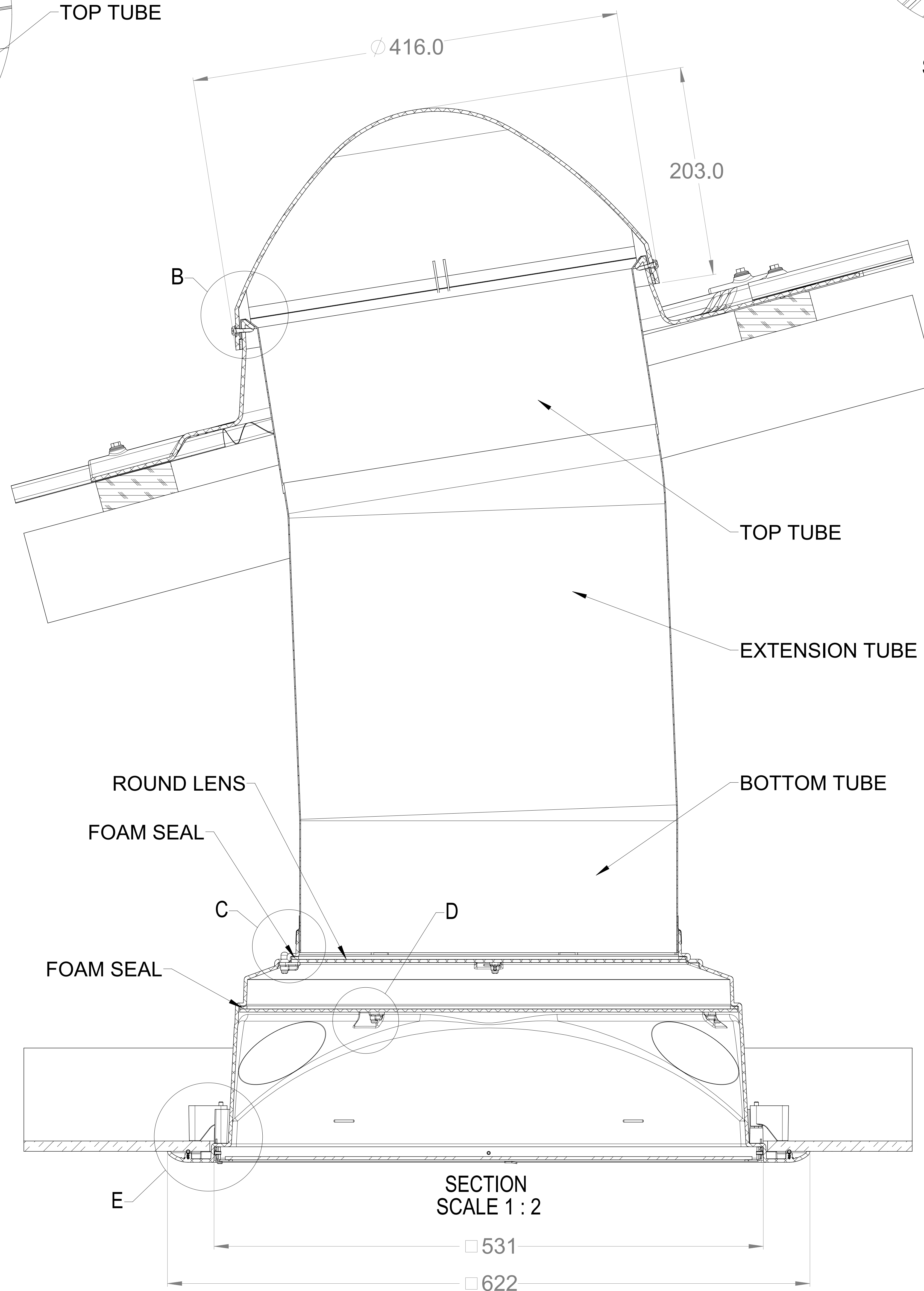
GYPROCK CLAMP
8 OFF

ROUND TO SQUARE
TRANSITION BOX

SEAL E 113

DETAIL E
SCALE 1 : 1

SQUARE FRAME ASSEMBLY

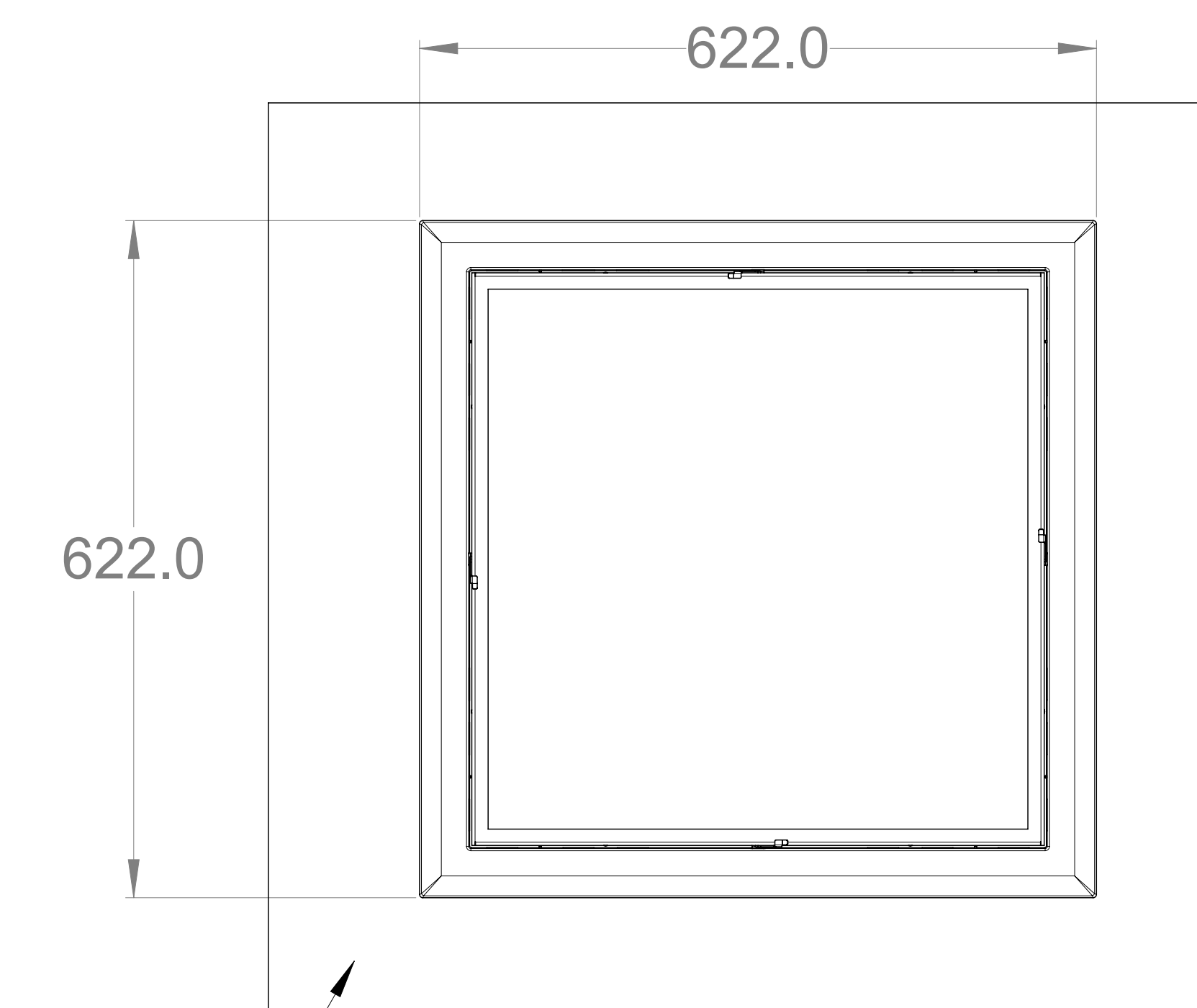
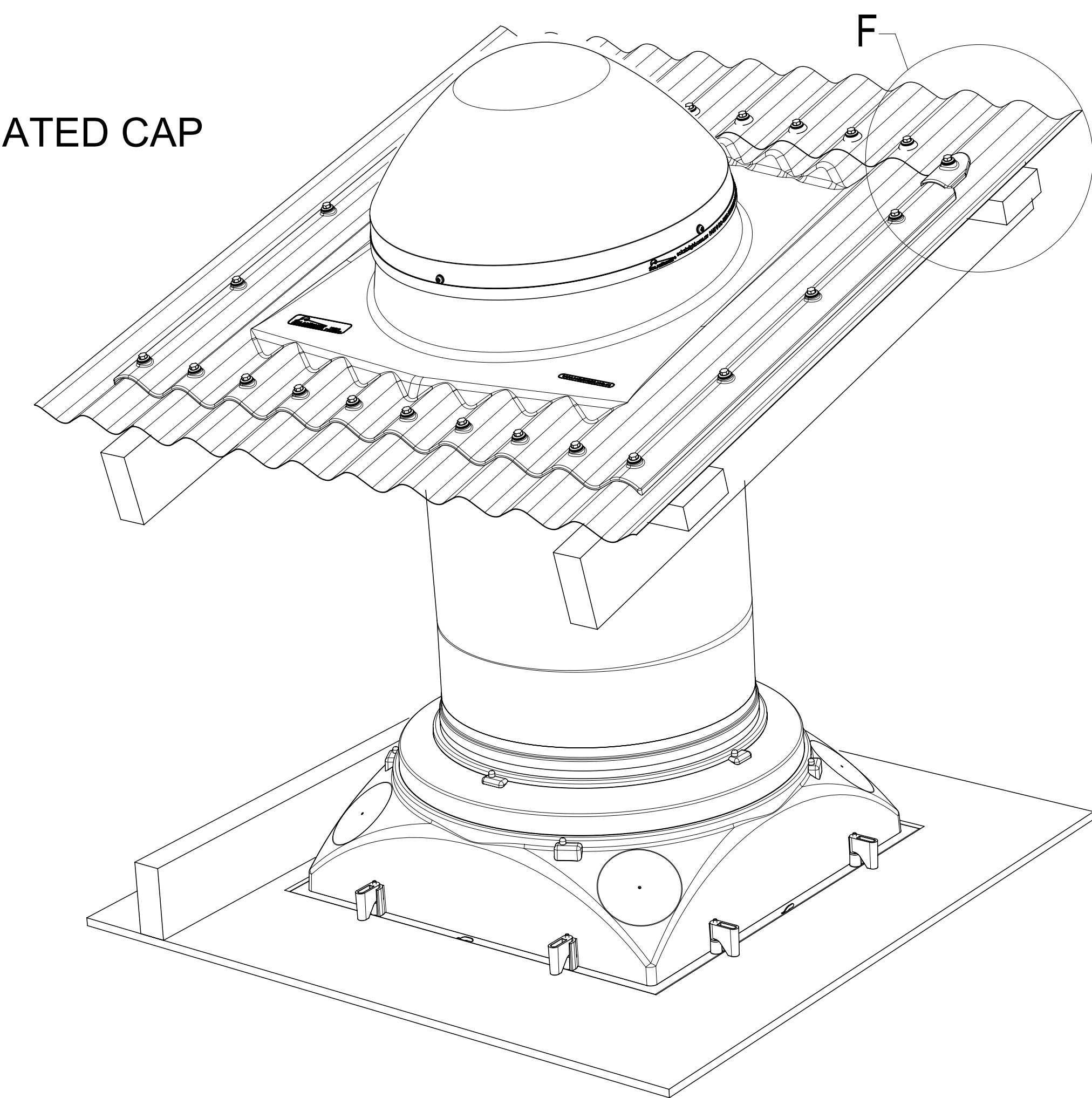


SECTION
SCALE 1 : 2

531

622

A



GYPROCK CEILING

VIEW A
Underside

Components	Specs
Dome	3.6 mm High Impact Clear Acrylic
Top , Extension & Bottom Tubes	0.5mm Aluminium with 98% Reflectivity
Transition Box	ABS Designed to suit Gyprock Ceiling with surrounding Decor Trim
Square Diffuser	Acrylic Lens assembled in square Aluminium Frame

NOTES
1. STRUCTURAL ELEMENTS SHOWN FOR REFERENCE ONLY
2. ALL DIMENSIONS IN METRIC MM

Solar Bright International Pty Ltd

11 Progress Circuit. Prestons. NSW. 2170 Australia.

ALL DIM IN MM DO NOT SCALE 3RD ANGLE PROJECTION AS1100 THIS PRINT Thursday, 24 August 2017 10:53:11 AM

THIS IS THE CONTROL DRAWING FOR THE CAD FILE: DRAWINGNAME-REVISION.EXTENSION SHEET SIZE SHEET NUMBER SHEET SCALE

GENERAL TOLERANCES (UNLESS OTHERWISE STATED): X. = ±1.000 X.XX = ±0.250 X.XXX = ±0.025 (X) = REF. DIM. A0 1 / 1 NA

DRAWING NAME REVISION

**MAXLIGHT 400H CORRUGATED
HYBRID FOR GYPROCK / HARD CEILING**

B

