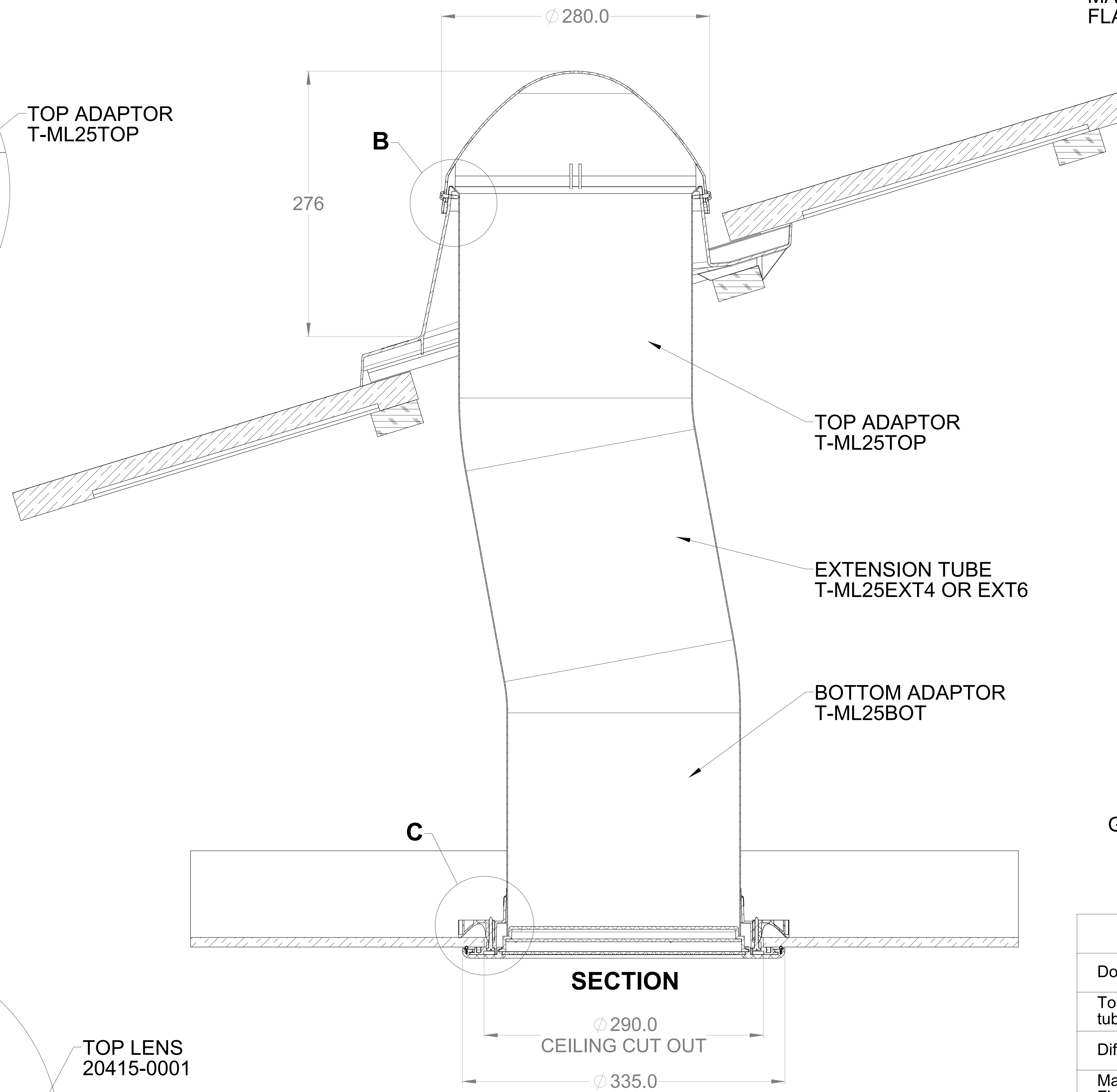


**DETAIL B**  
SCALE 2 : 1

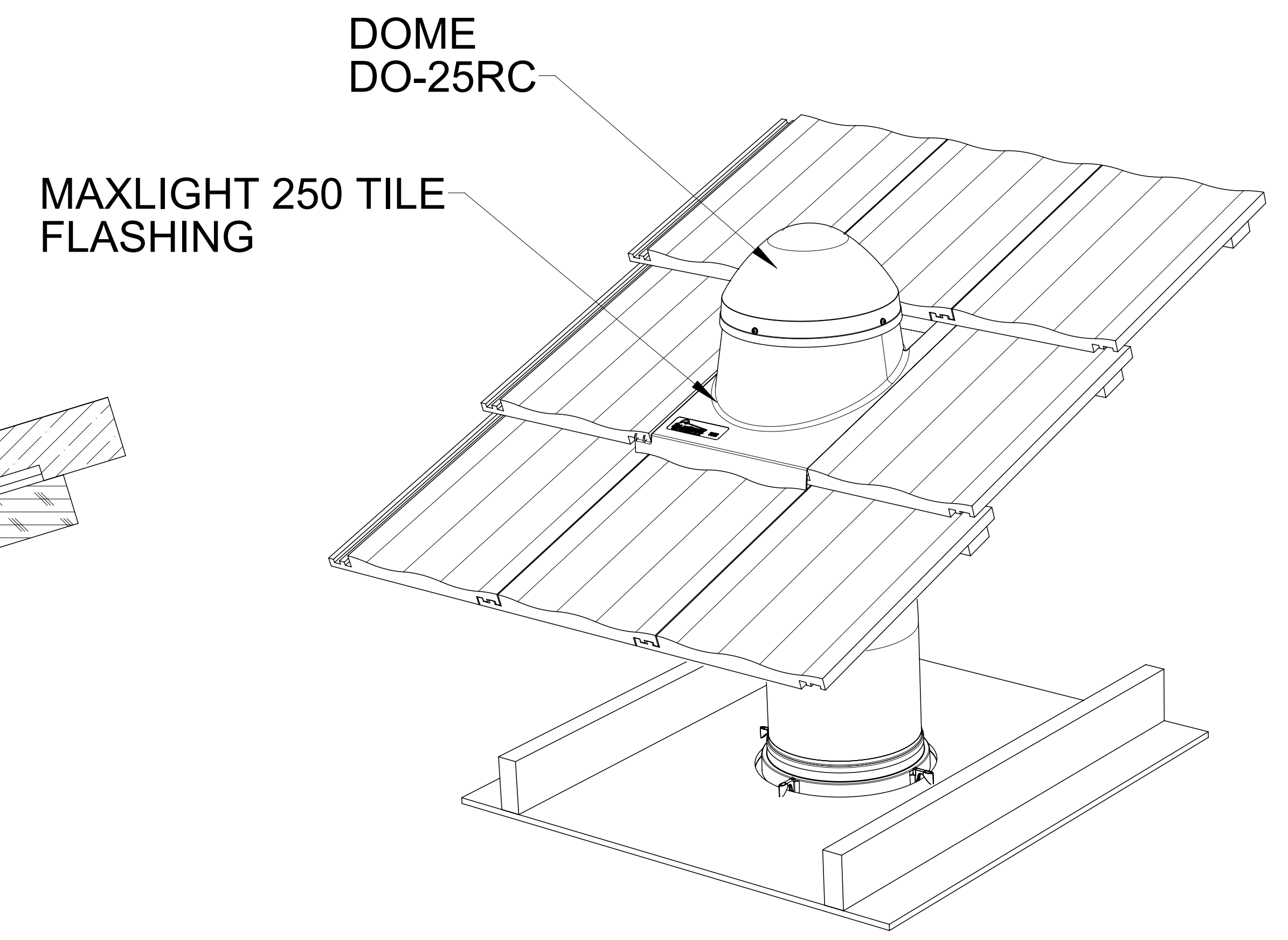


**SECTION**

Ø 290.0  
CEILING CUT OUT

Ø 335.0

**A**



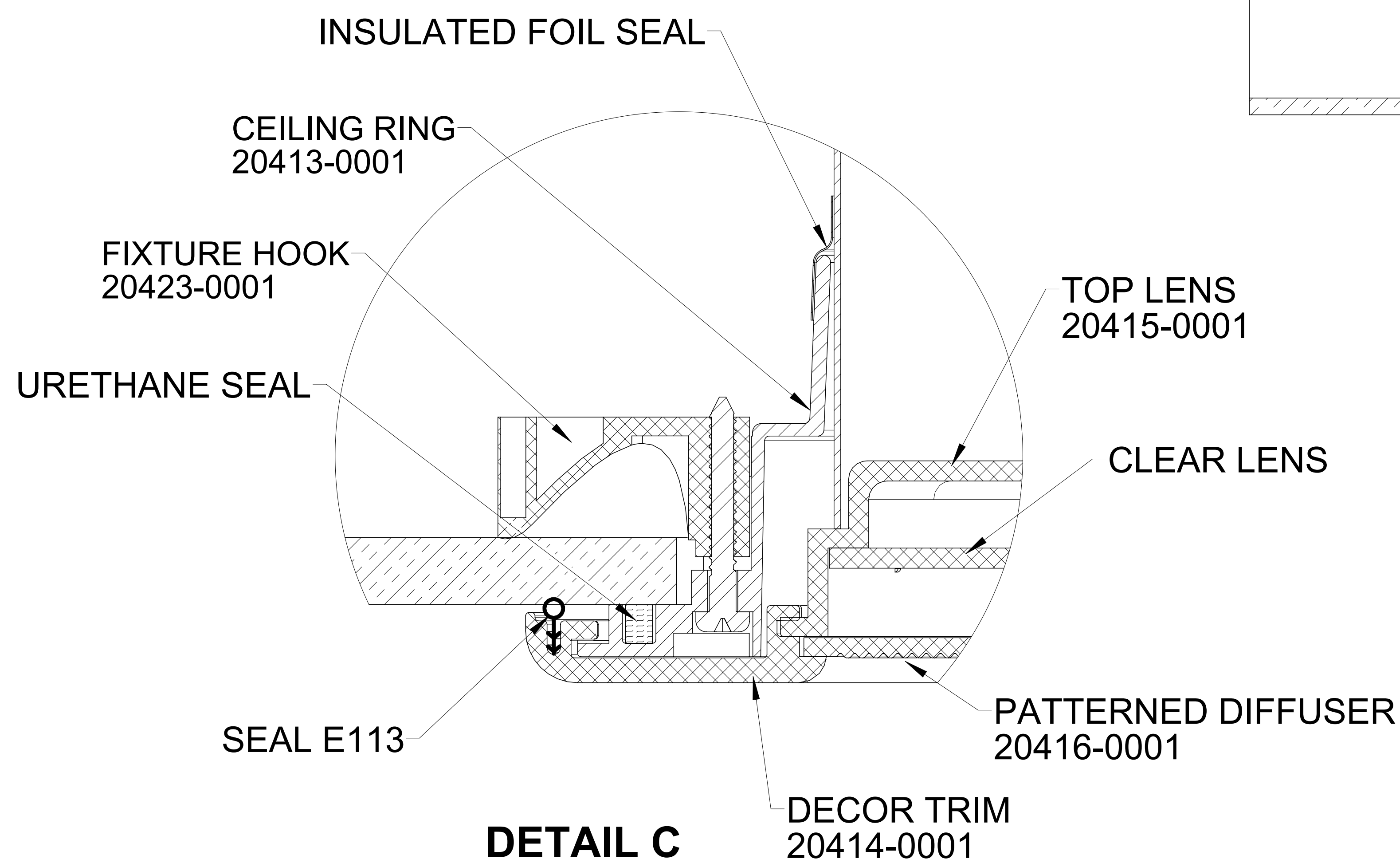
DOME  
DO-25RC

MAXLIGHT 250 TILE  
FLASHING



GYPROCK CEILING

**VIEW A**  
Underside



**DETAIL C**  
SCALE 2 : 1

Components	Specs
Dome	3.6mm High Impact Clear Acrylic.
Top, Extension & Bottom tubes	0.5mm Aluminium with 98% reflectivity.
Diffuser Kit	Acrylic Lens in Decor Trim
Maxlight 250 Tile Flashing	Polypropylene

**NOTES**

- STRUCTURAL ELEMENTS SHOWN FOR REFERENCE ONLY
- ALL DIMENSIONS IN METRIC MM

**Solar Bright International Pty Ltd**

11 Progress Circuit. Prestons. NSW. 2170 Australia.

ALL DIM IN MM DO NOT SCALE 3RD ANGLE PROJECTION AS1100 THIS PRINT Thursday, 5 October 2017 7:51:57 PM	DRAWINGNAME-REVISION.EXTENSION	SHEET SIZE	SHEET NUMBER	SHEET SCALE
GENERAL TOLERANCES (UNLESS OTHERWISE STATED): X = ±1.000 X.X = ±0.250 X.XX = ±0.025 (X) = REF. DIM.		A0	1 / 1	NA
DRAWING NAME				REVISION

**MAXLIGHT 250 TILED**  
FOR GYPROCK - HARD CEILING

**A**

